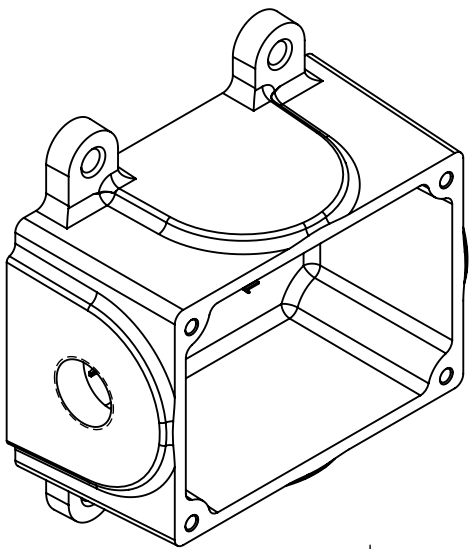
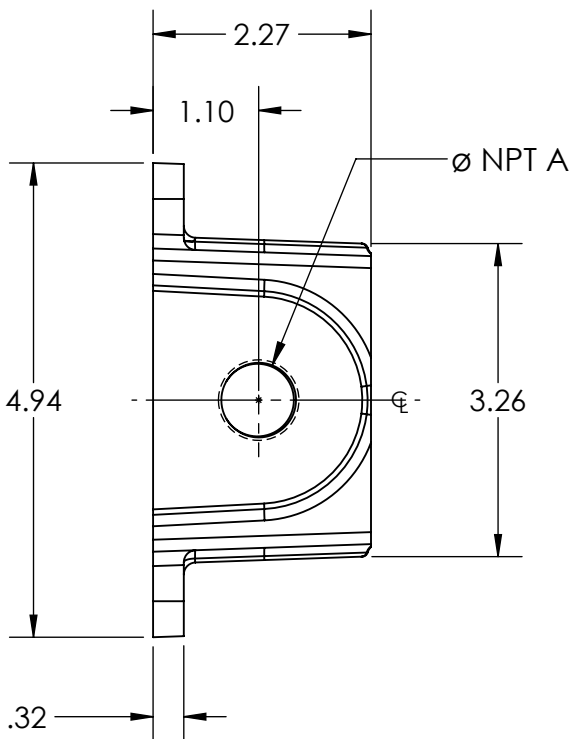
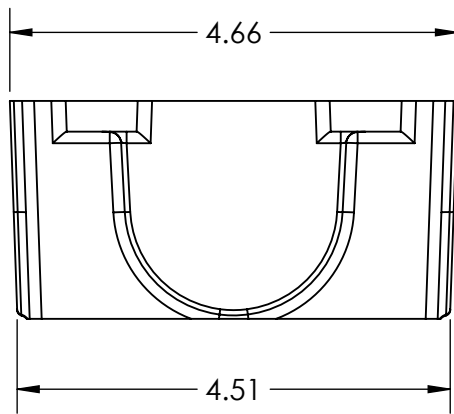


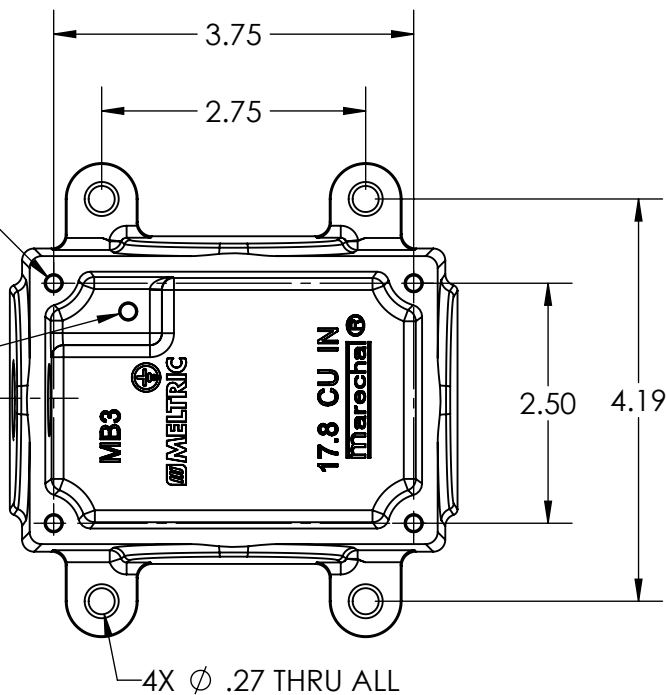
This drawing is the property of MELTRIC Corporation, Franklin (Milwaukee), Wisconsin, USA. Any unauthorized copying of this drawing by any means, ENG/RD/06 REV: 20 ISSUED DATE: 1/15/11 or disclosure of its contents to any person not authorized by MELTRIC Corporation or its agents to receive it, is strictly prohibited.


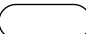


PART NUMBER	NPT SIZE "A"
7T1FON05	1/2" NPT
7T1FON07	3/4" NPT
7T1FON10	1" NPT
7T1FON12	1-1/4" NPT



4X 10-32 UNF ∇ .68
 10-32 UNF GRND



TOLERANCES UNLESS OTHERWISE SPECIFIED		 A COMPANY OF MARECHAL ELECTRIC	
MACHINED SURFACES $\sqrt[125]{\text{MAX}}$	ENGLISH		
GROUND SURFACES $\sqrt[32]{\text{MAX}}$	0.X ± 0.05	DRAWING TITLE:	
ANGLE TOLERANCE $\pm 1^\circ$	0.XX ± 0.01	METAL JUNCTION BOX	
REMOVE BURRS & SHARP EDGES TO .015 MAX.	0.XXX ± 0.005	DATE:	SCALE: NTS
 DIMENSIONS SHOWN IN OVALS ARE INSPECTION DIMENSIONS.		MATERIAL: PAINTED METAL	
		SHEET: 1 OF 1	PART NUMBER: 7T1FONxx
			REVISION